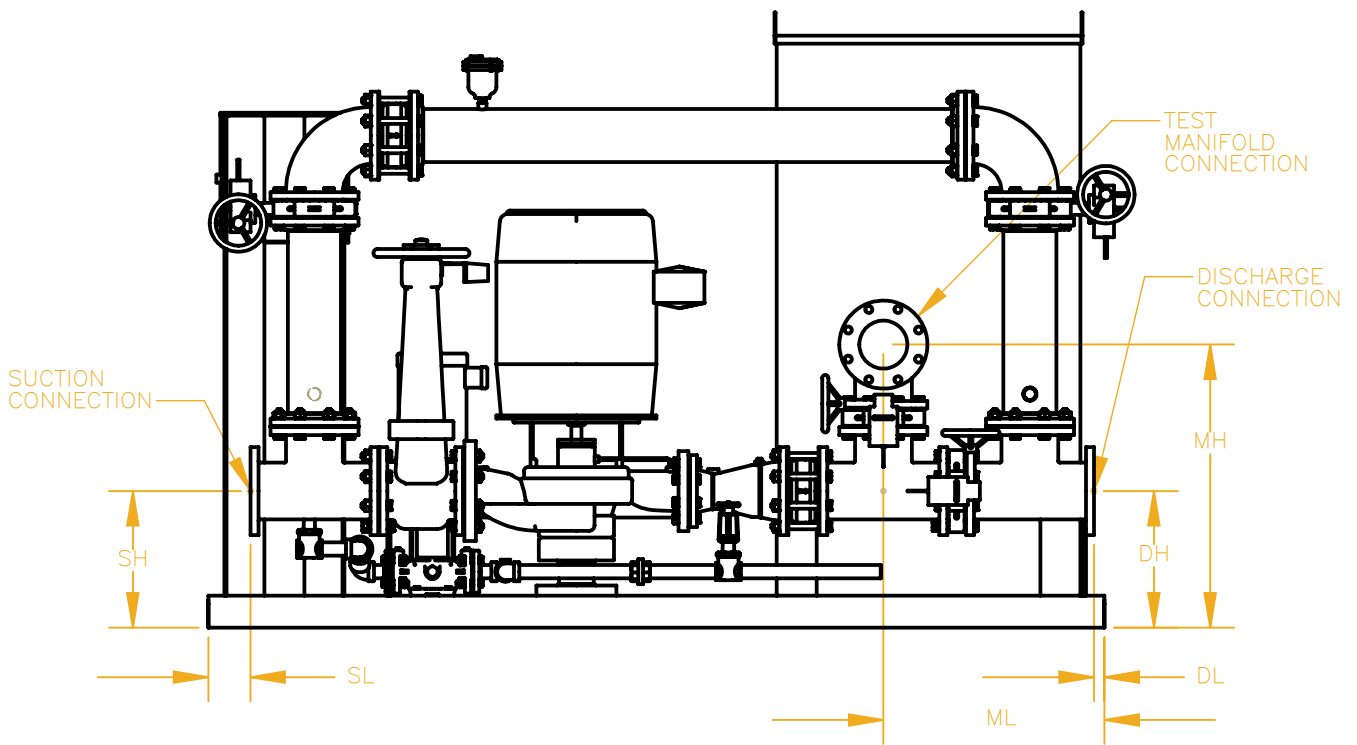
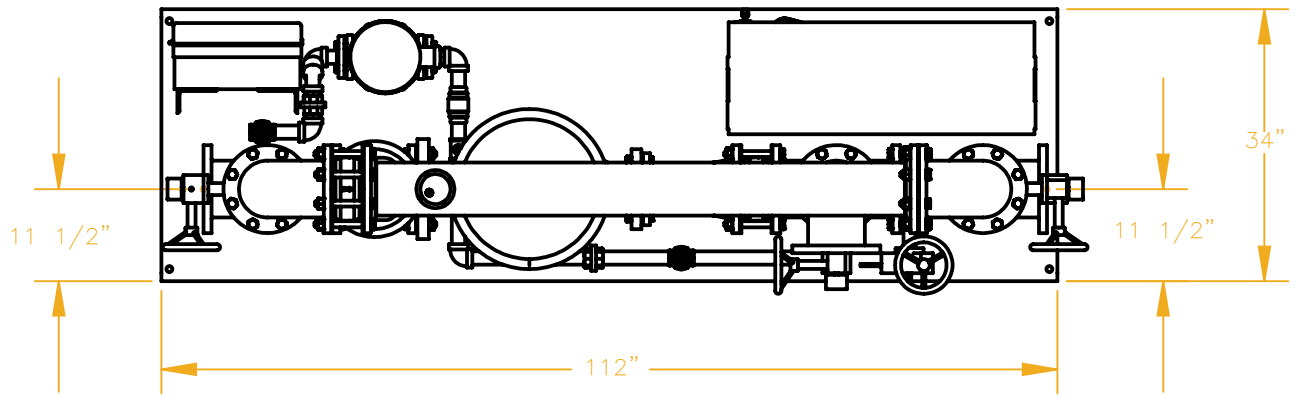


COMPACT FIRE PUMP SYSTEM STANDARD CONFIGURATION



GENERAL DIMENSIONS								
PUMP MODEL(S)		2"-1591CF	3"-1592AF	3"-1591AF/BF	3"-1593F	4"-1591BF	4"-1592F/3BF/3CF	4"-1593F
SH (SUCTION HEIGHT)	INCHES	12 3/4	13 3/4	13 3/4	13 7/8	14 1/4	14 1/2	17 13/16
	MM	324	349	349	352	362	368	452
SL (SUCTION LENGTH)	INCHES	11 1/8	5 5/8	7 1/8	12 3/4	- 7/8	- 7/8	3 1/4
	MM	283	143	181	324	-22	-22	83
DH (DISCHARGE HEIGHT)	INCHES	13 1/4	14 1/4	14 1/4	13 7/8	15 1/4	15	17 13/16
	MM	337	362	362	352	387	381	452
DL (DISCHARGE LENGTH)	INCHES	19 9/16	13 13/16	15 5/16	13 13/16	4 5/16	4 5/16	- 11/16
	MM	497	351	389	351	110	110	-17
MH (MANIFOLD HEIGHT)	INCHES	28 7/16	31 15/16	31 15/16	31 9/16	33 9/16	33 5/16	36 1/8
	MM	722	811	811	802	852	846	918
ML (MANIFOLD LENGTH)	INCHES	38	35 1/2	37	35 1/2	30 5/8	30 5/8	25 5/8
	MM	965	902	940	902	778	778	651

NOTES:

DIMENSIONS MAY VARY +/- 3/8".

A NEGATIVE DIMENSION INDICATES DIRECTION FROM THE BASE OPPOSITE OF THAT SHOWN.

NOT FOR CONSTRUCTION UNLESS CERTIFIED.